



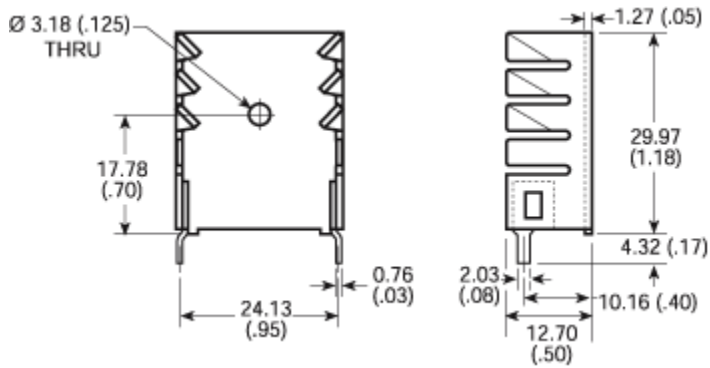
For use with TO-220 packages

593002b03400

VIS#002831



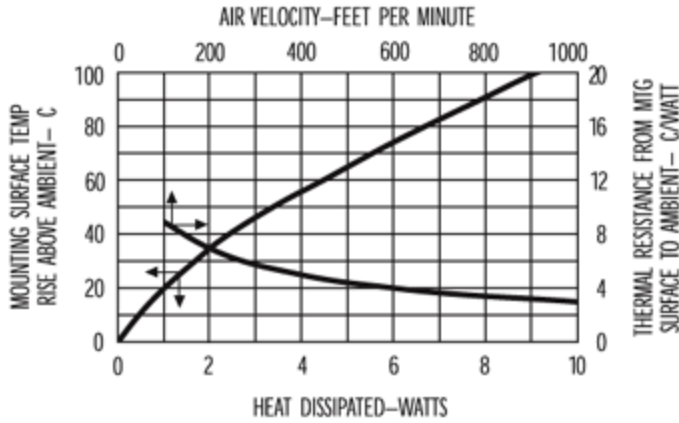
Mechanical Outline Drawing



Thermal Resistance	13.4
---------------------------	------

Thermal resistance value is based on a 75°C rise in natural convection

Thermal Curves



Product Information

12 Digit Part #	Description	Finish	Board Mounting
593002b03400	Vertical mounting (Tab 34)	Black Anodize	View Hole Dimensions

Not Exactly what you need?

We offer several options for those applications which require a more unique solution. For slight modifications of this part or other attachment options, finishes, and interface materials, contact your [local representative](#). Challenge us with your thermal requirements - we can design custom solutions.

**For technical help with our Standard Products,
please call (603) 223-1921, or contact your local Manufacturer's Rep
Email: info@aavid.com**

Visit us at www.aavidthermalloy.com • ©2002 Aavid Thermalloy, LLC